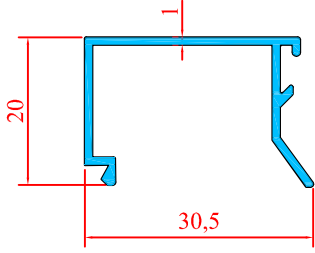
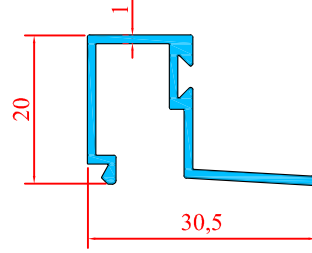


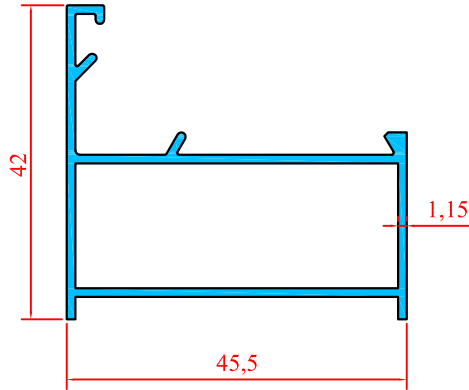
**1500**  
0.206 Kg/m  
ÇITA



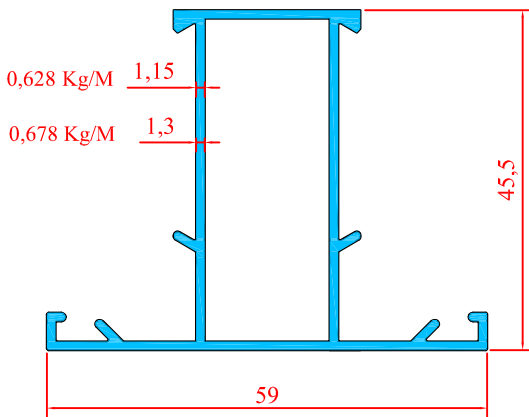
**1531**  
0.221 Kg/m  
ISI CAM ÇITASI



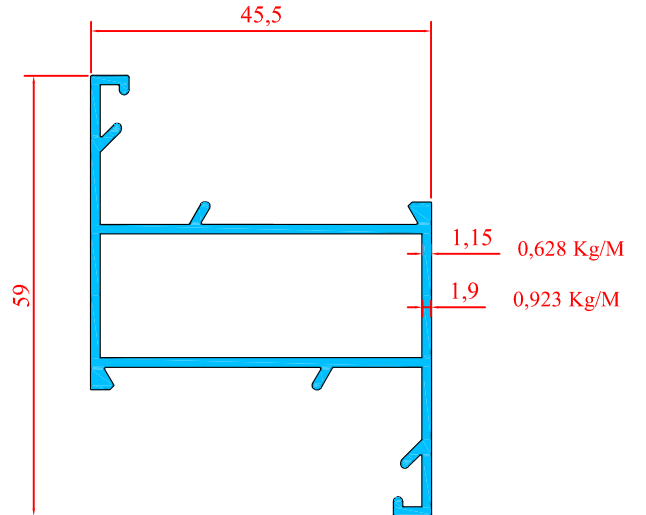
**1595**  
0.526 Kg/m  
DAR KASA

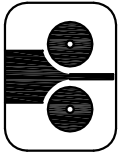


**1513**  
DAR ORTA

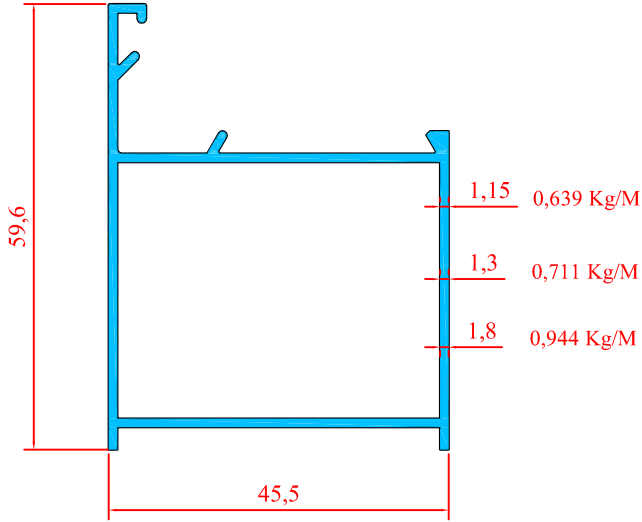


**1514**  
DAR KANAT

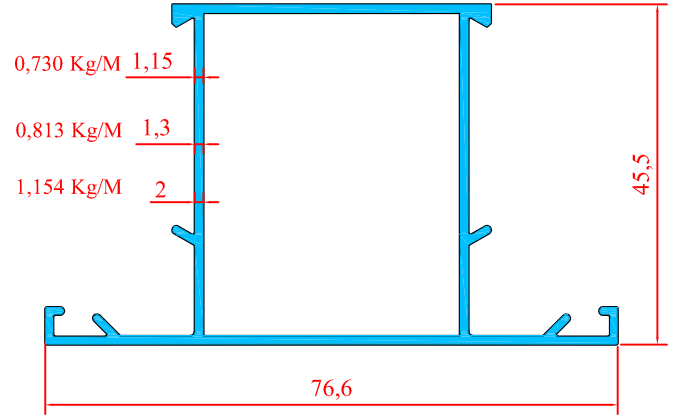




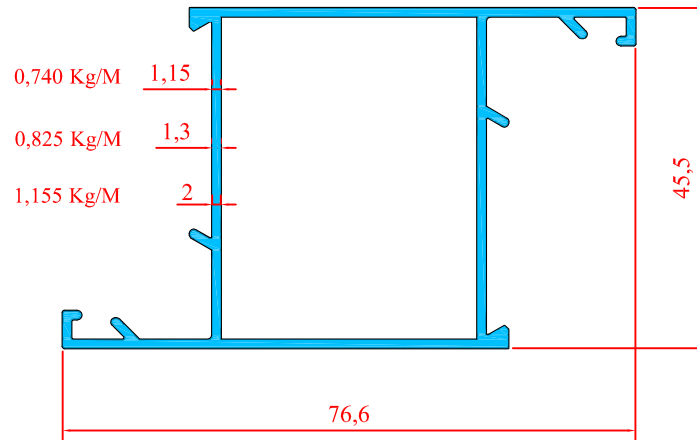
1584  
MERMER ÜSTÜ KASA

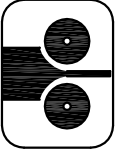


1591  
GENİŞ ORTA

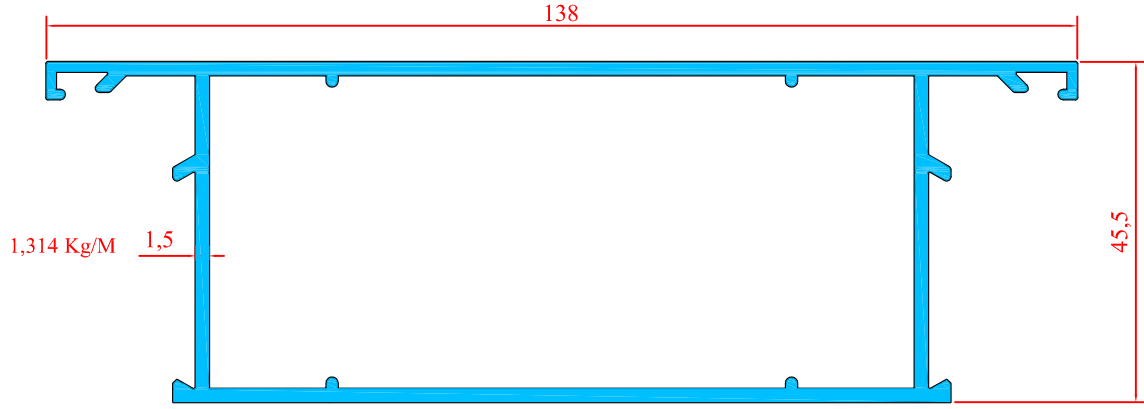


1592  
GENİŞ KANAT

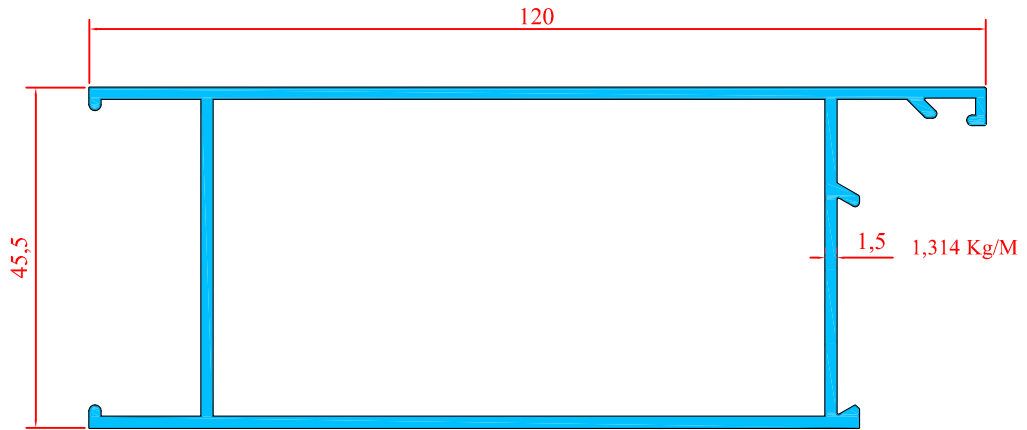


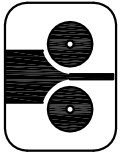


1593  
GENİŞ ORTA KAYIT

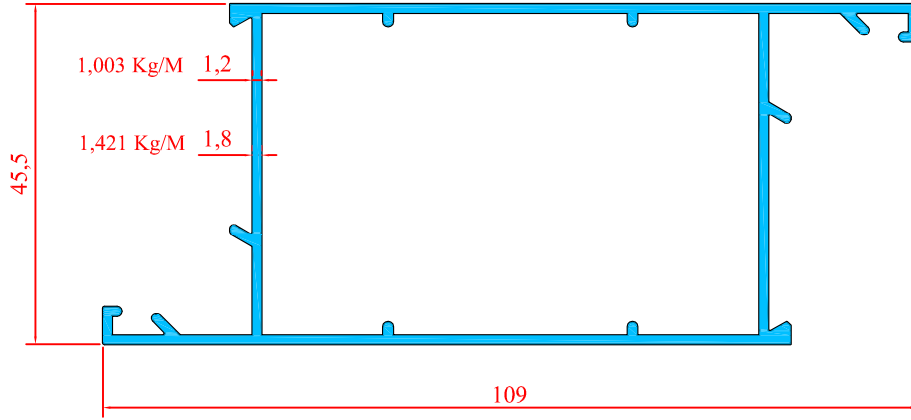


1594  
ETEK

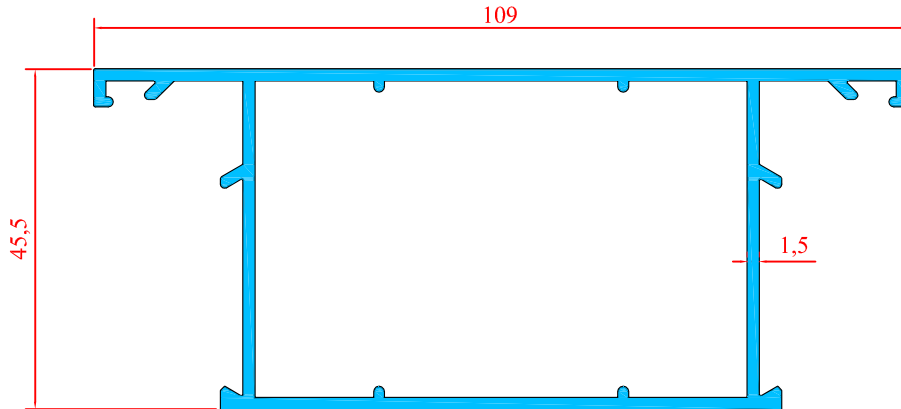


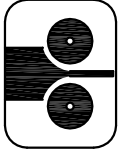


1692  
TAM SERİ KANAT



1693  
1.220 Kg/m  
TAM SERİ KASA

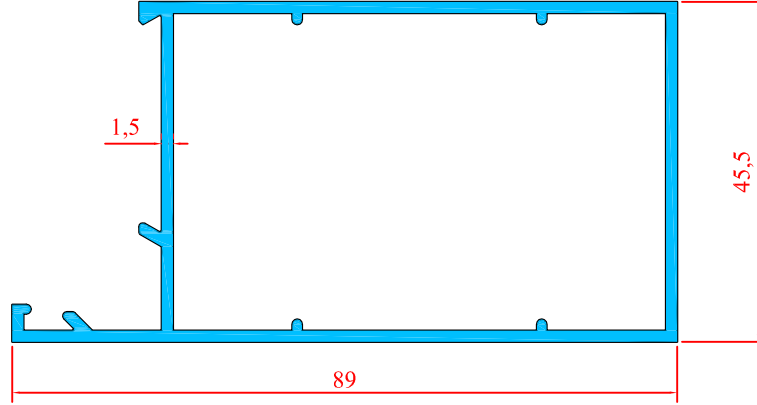




1694

1.075 Kg/m

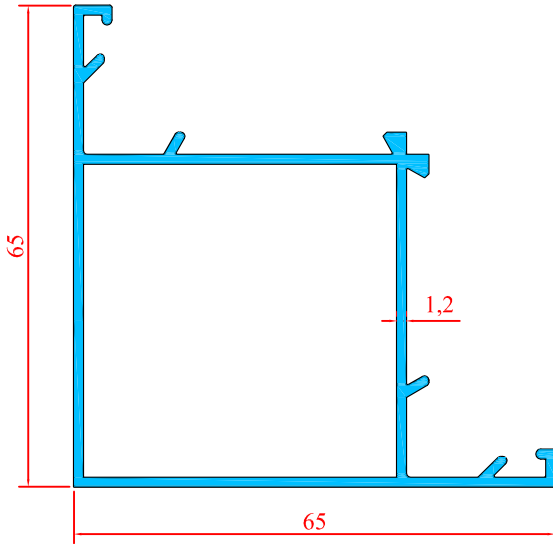
TAM SERİ MERMER ÜSTÜ



1567

0.820 Kg/m

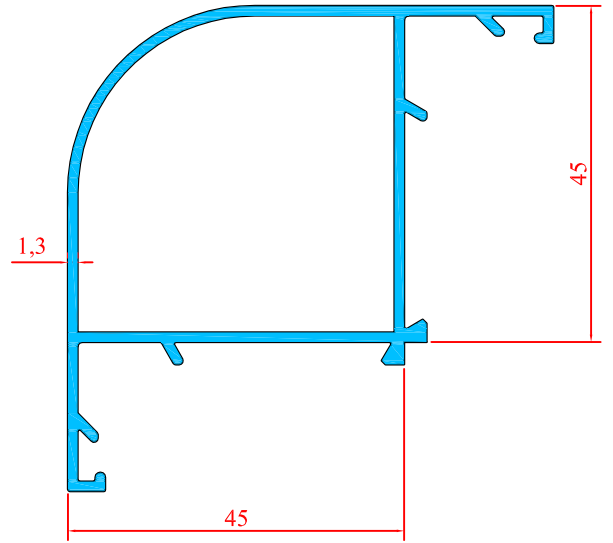
KÖŞE PROFİL

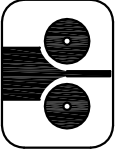


1738

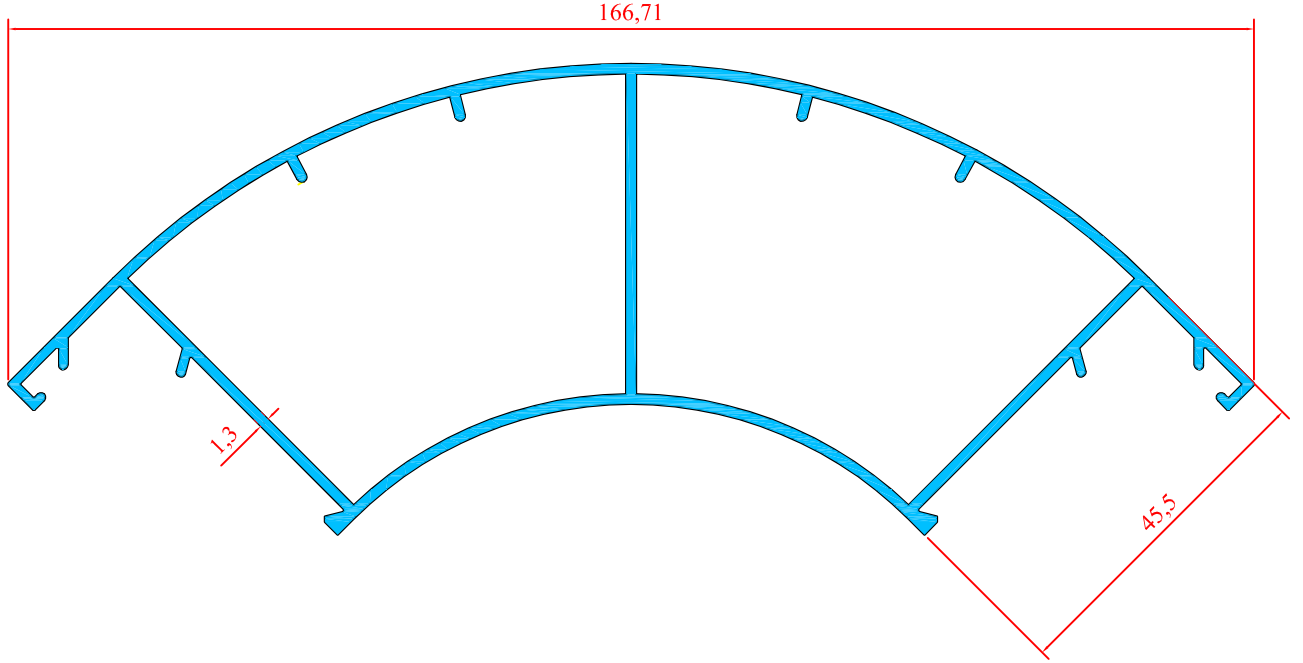
0.845 Kg/m

ALDOX KÖŞE

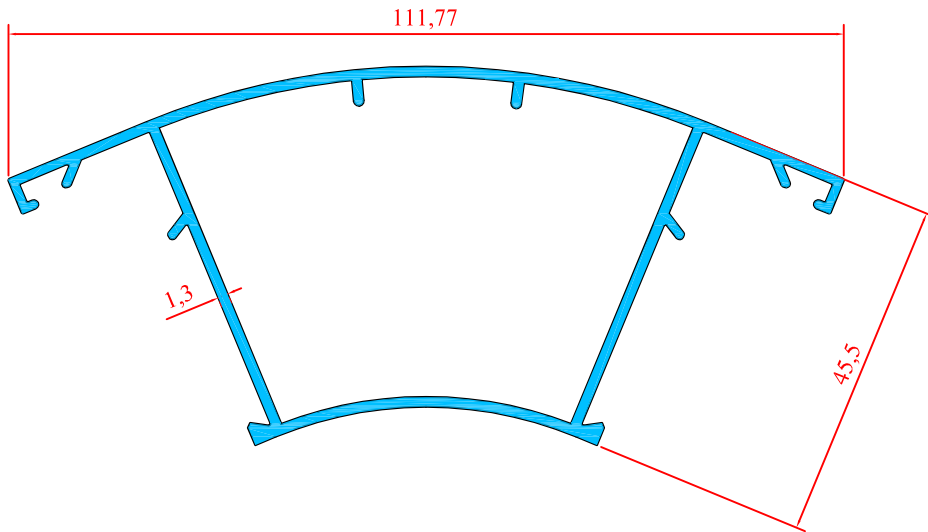


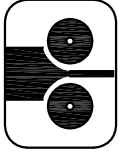


3317  
1.586 Kg/m  
ALDOX DÖNÜŞ

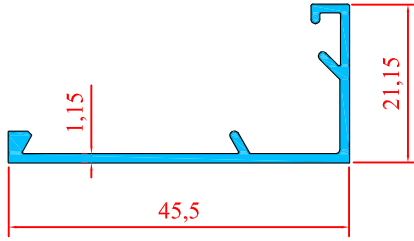


3318  
0.993 Kg/m  
ALDOX DÖNÜŞ

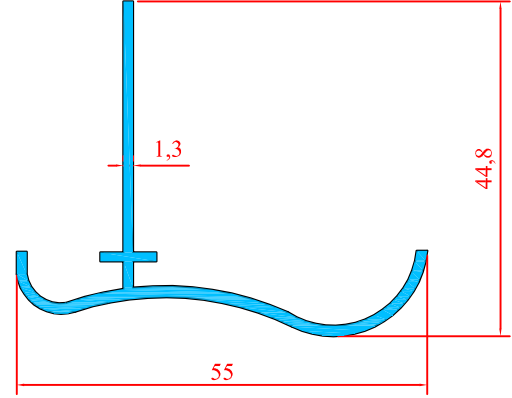




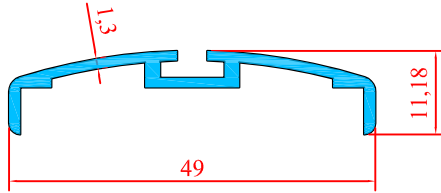
**1739**  
0.258 Kg/m  
**ALDOX ADAPTÖR**



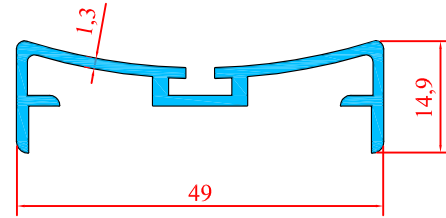
**1191**  
0.412 Kg/m  
**SÜSLÜ BİNE**



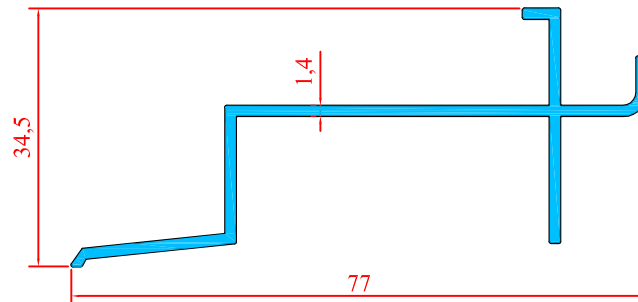
**1695**  
0.289 Kg/m  
**ÇARPMA KAPI**

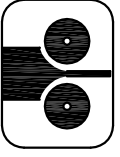


**1696**  
0.364 Kg/m  
**ÇARPMA KAPI**



**3053**  
0.508 Kg/m  
**TERLEME PROFİLİ**

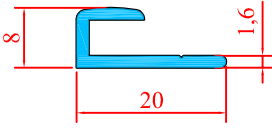




**3448**

0.141 Kg/m

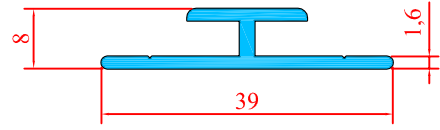
**KOMPOZİT DERZ U**



**3449**

0.262 Kg/m

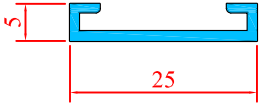
**KOMPOZİT DERZ H**



**513**

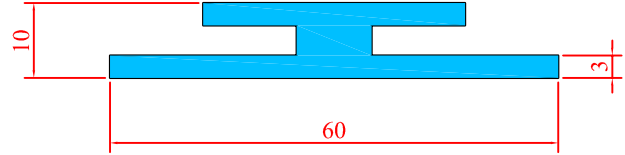
0.133 Kg/m

**İSP KIZAK İÇİ**



**3657**

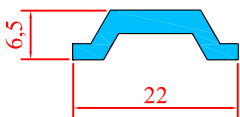
0.884 Kg/m



**514**

0.184 Kg/m

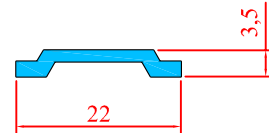
**KIZAK DIŞI**



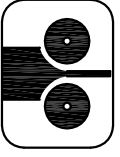
**514 - A**

0.113 Kg/m

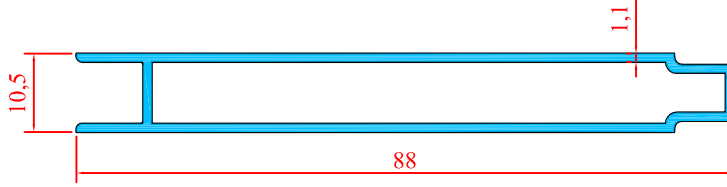
**KIZAK DIŞI**



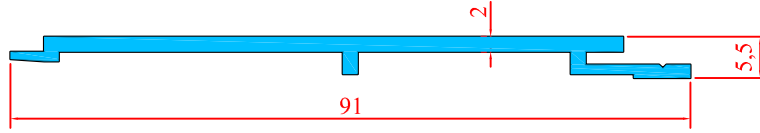




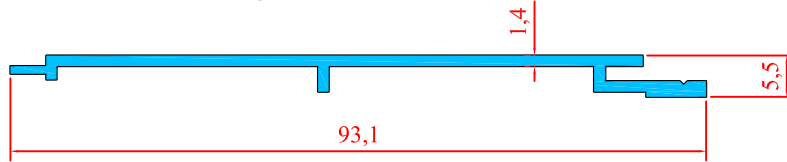
1000  
0.575 Kg/m  
TAHTA LAMBİR



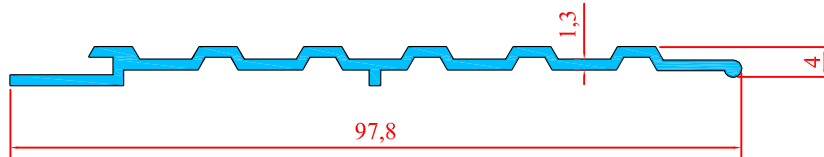
419  
0.546 Kg/m  
LAMBİR



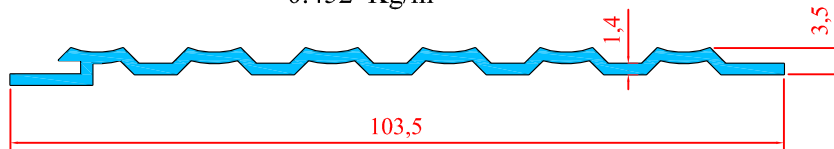
501  
0.417 Kg/m  
DÜZ LAMBİR

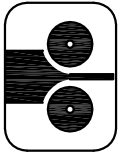


502  
0.424 Kg/m



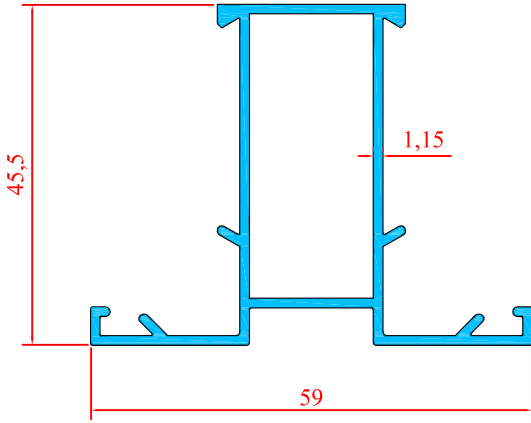
503  
0.452 Kg/m





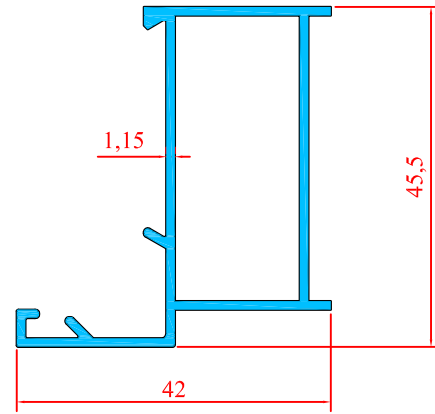
1501

0.630 Kg/m



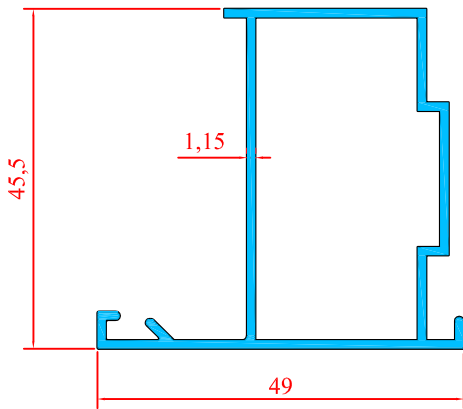
1508

0.514 Kg/m



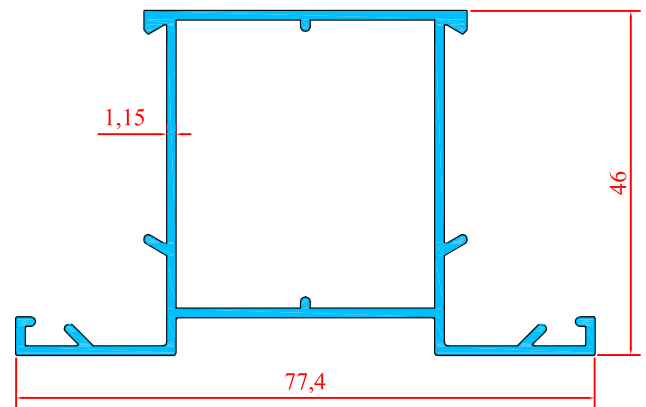
1509

0.566 Kg/m



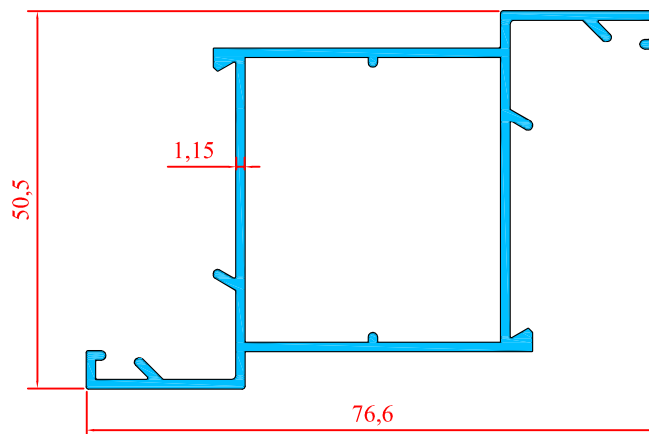
1521

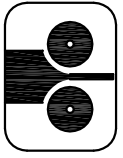
0.749 Kg/m



1524

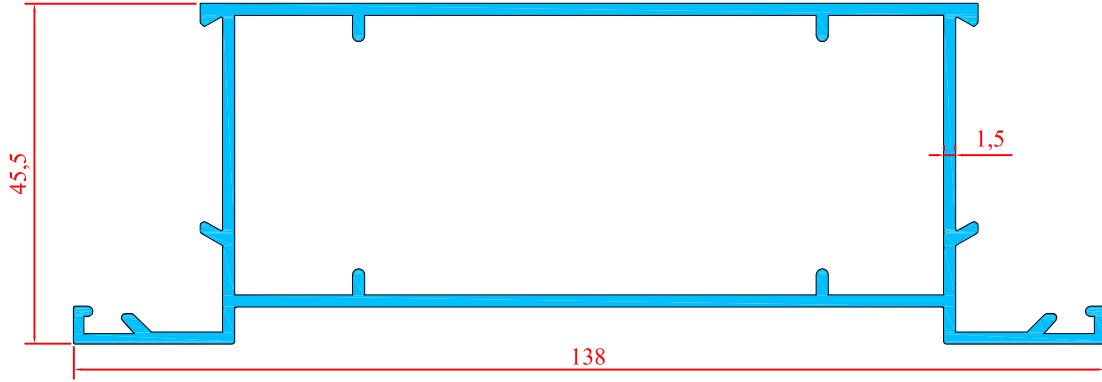
0.740 Kg/m





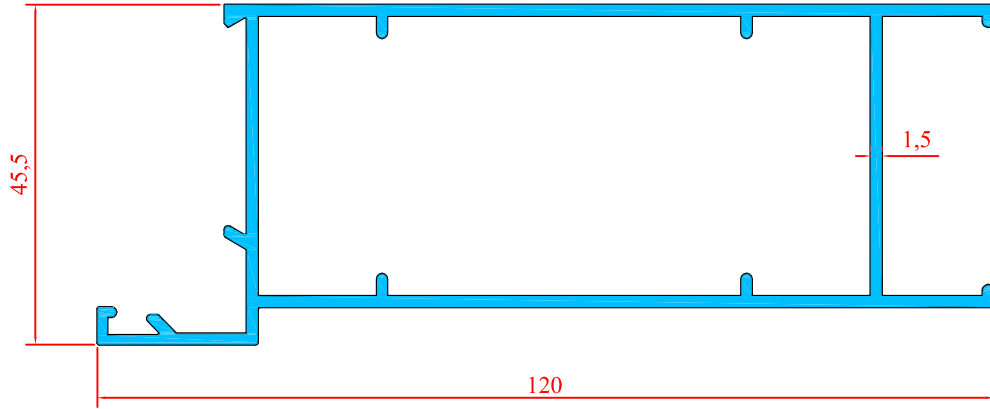
1525

1.481 Kg/m



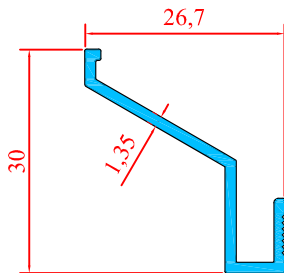
1526

1.348 Kg/m



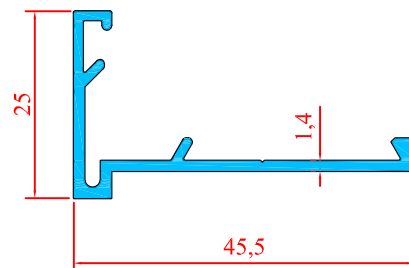
1549

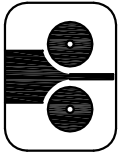
0.206 Kg/m



1512

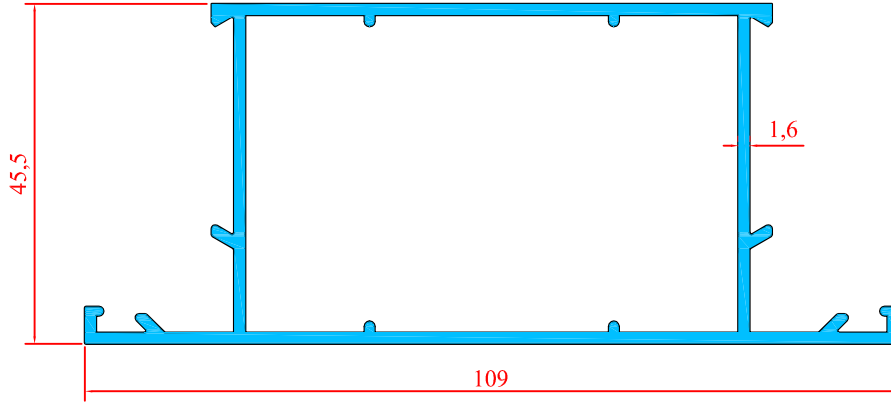
0.330 Kg/m





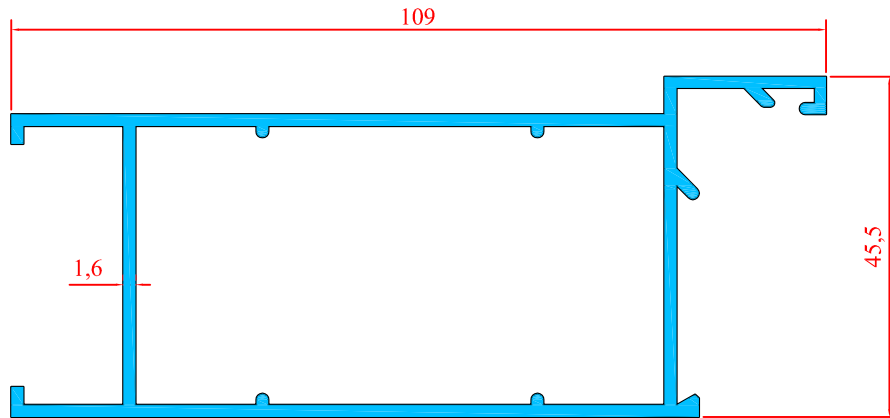
1690

1.298 Kg/m



1691

1.318 Kg/m



1585

0.636 Kg/m

